


Bell Hydromatics

Check Valves

Pilot Operated Check Valves

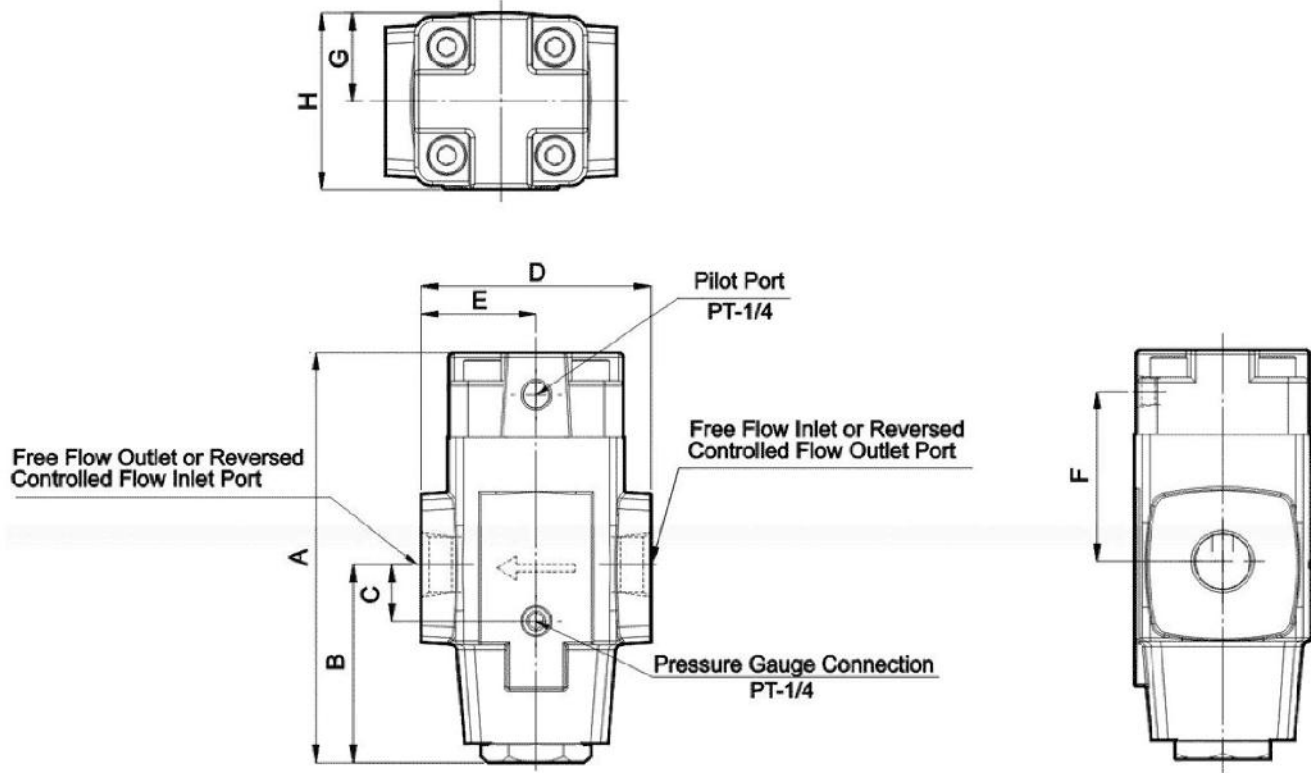


Ordering Code

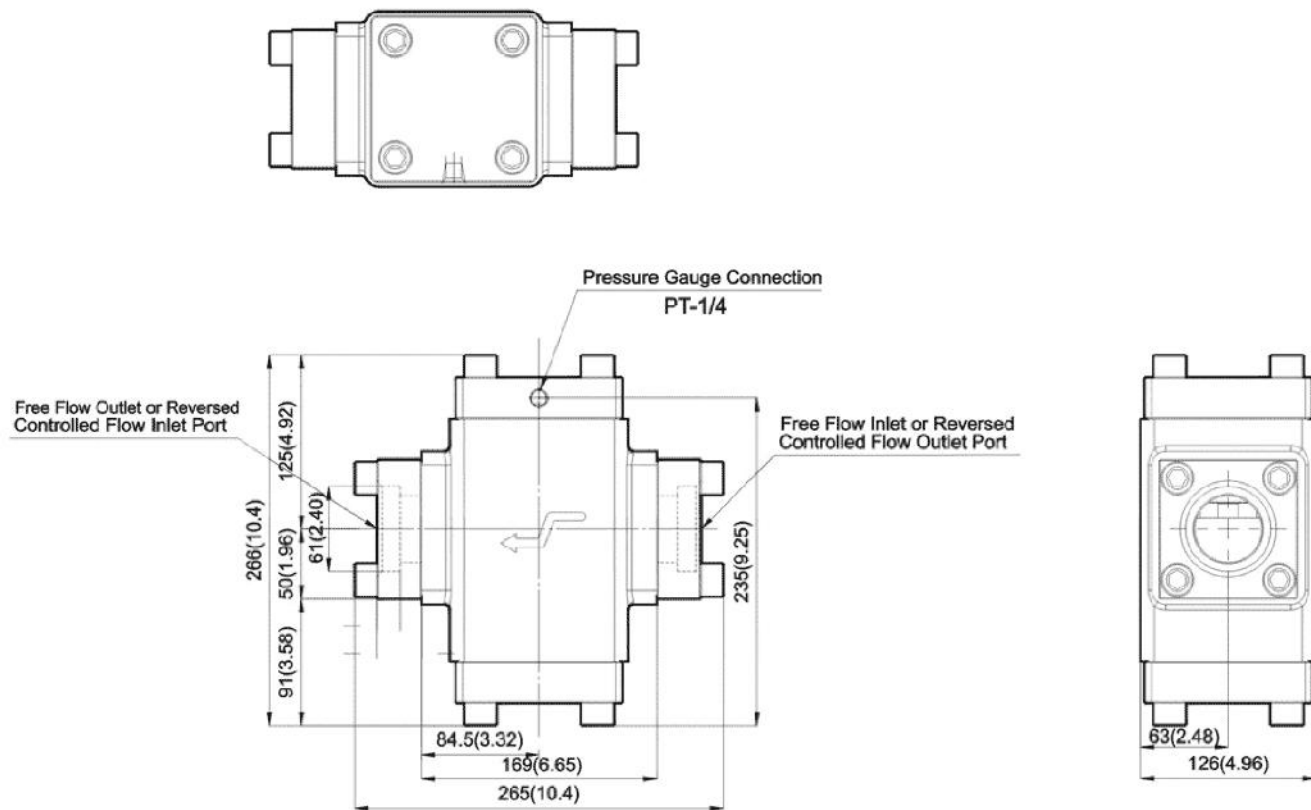
CP	T	03	E	04	20
Series No.	Type of Mounting	Valve Size	Drain Connection	Pressure Range	Design No.
CP : Pilot Controlled Check Valve CPD : Decompression Type Pilot Controlled Check Valve 	G Subplate Mounting	03 : (3/8") ISO 5781- AG-06- 2-A	None: Internal Drain	04 : 0.4 bar (6 PSI)	20 (G) DIN 912 bolts
	T Threaded Connection	06 : (3/4") ISO 5781- AH-08- 2-A	E: External Drain	20 : 2.0 bar (29 PSI)	2090 (G) UNC bolts (North American)
		10 : (1 1/4")ISO 5781- AJ-10-2- A		35 : 3.5 bar (50 PSI)	20 (T) PT Connection
				50 : 5.0 bar (70 PSI)	2090 (T) NPT Connection (North American)

Dimensions

CPDT-04-06-10 Pilot Controlled Check Valves (Threaded Type)



CPDF-16 Pilot Controlled Check Valves



Valve Specifications and Attachment

CPDT-04-06-10 Pilot Controlled Check Valves (Threaded Type)

Model	CPDT-04	CPDT-06	CPDT-10
Flow Rating	40lpm (10.6gpm)	125lpm (33gpm)	250lpm (66gpm)
Max. Pressure	250bar (3600 PSI)		
Weight kg(lbs.)	3.0 (6.6)	5.5 (12.1)	9.6 (21.2)
CODE : 20	1/2" PT	3/4" PT	1 1/4" PT
CODE : 2090	1/2" NPT	3/4" NPT	1 1/4" NPT

CPDF-16 Pilot Controlled Check Valves

Model	CPDF-16
Flow Rating	500lpm (132gpm)
Max. Pressure	250bar (3600 PSI)
Weight kg(lbs.)	30 (66.3)
CODE : 20	2" PT
CODE : 2090	2" NPT